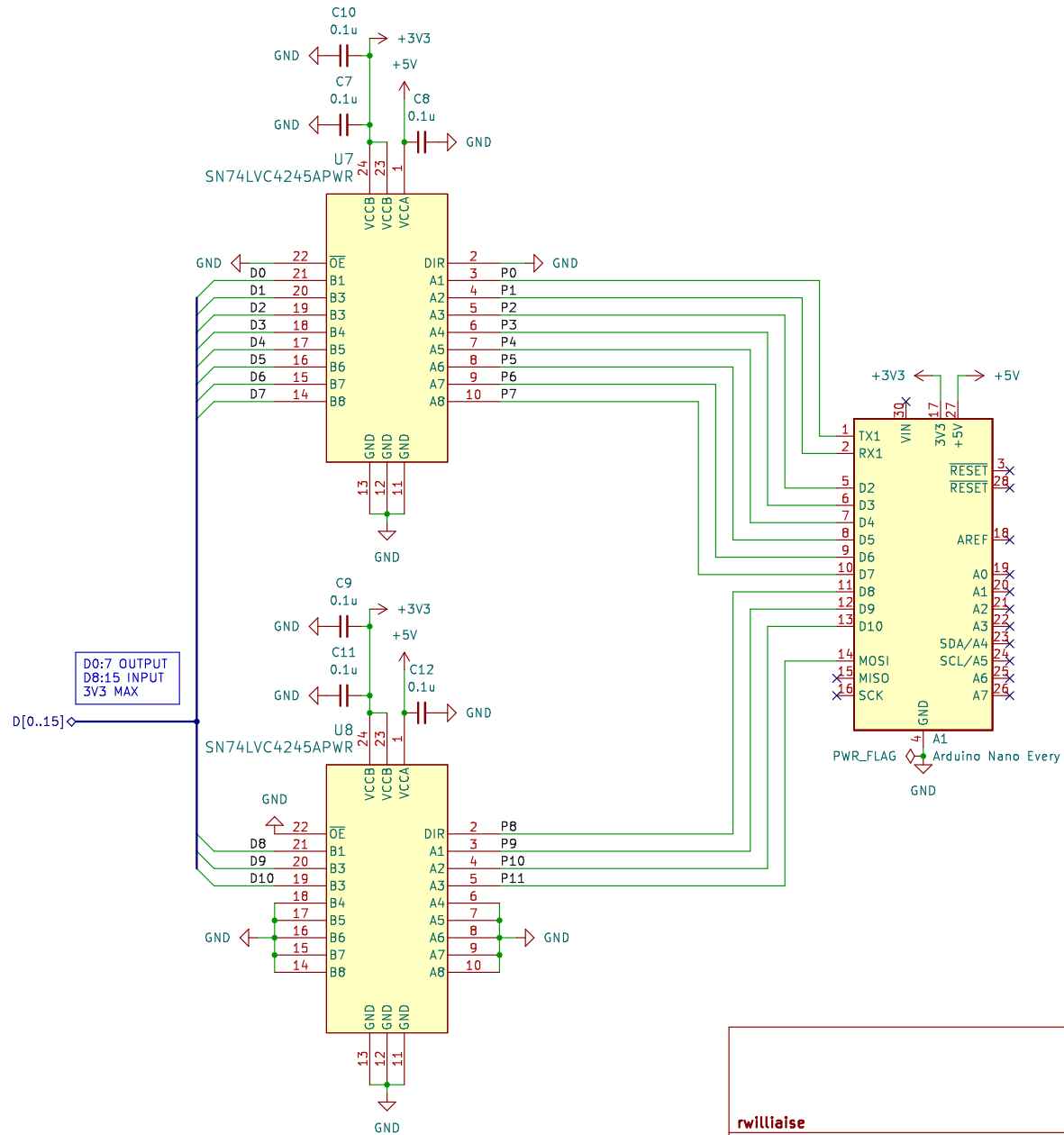


<b>rwilliaise</b>	
Sheet: /	
File: reader_shield.kicad_sch	
<b>Title: reader00 Shield</b>	
Size: USLetter	Date:
KiCad E.D.A. kicad 7.0.10	<b>Rev: 1</b>
	Id: 1/4



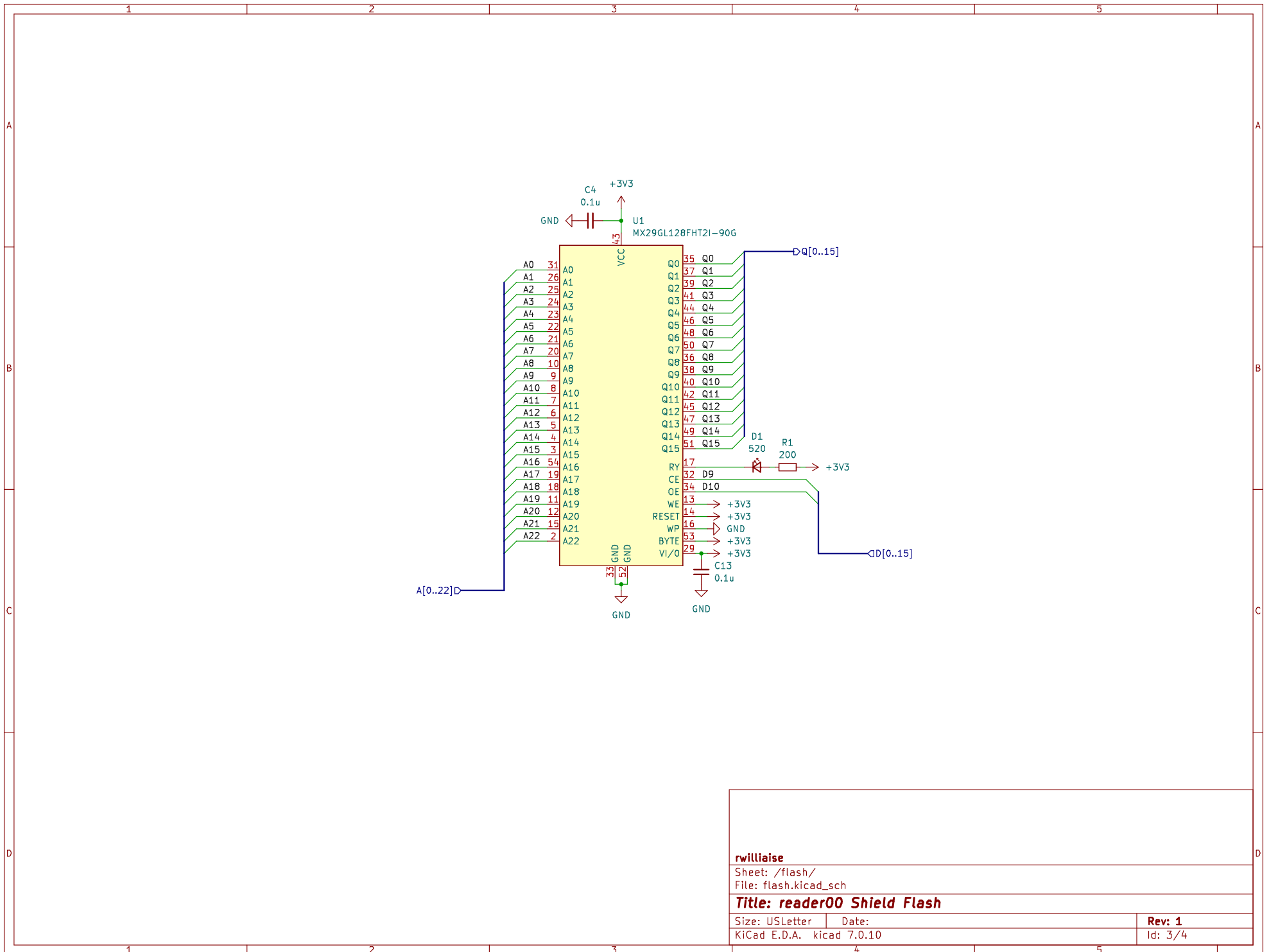
rwlliaise

Sheet: /arduino/  
File: arduino.kicad\_sch

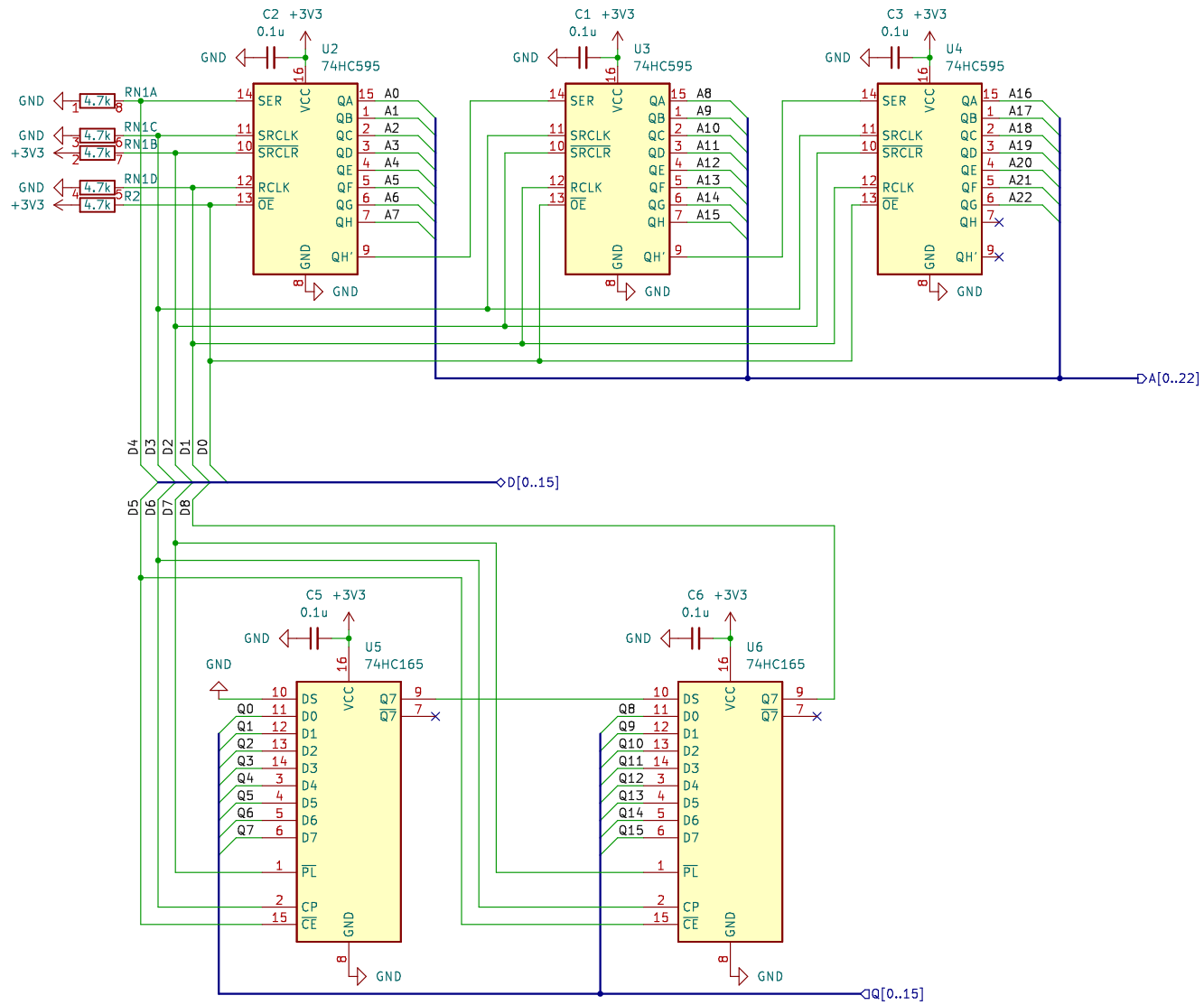
**Title: reader00 Shield Arduino**

Size: USLetter Date:  
KiCad E.D.A. kicad 7.0.10

Rev: 1  
Id: 2/4



<b>rwilliase</b>	
Sheet: /flash/	
File: flash.kicad_sch	
<b>Title: reader00 Shield Flash</b>	
Size: USLetter	Date:
KiCad E.D.A. kicad 7.0.10	Rev: 1
	Id: 3/4



Sheet: /register/  
 File: register.kicad\_sch

**Title: reader00 Shield Flash Register**

Size: USLetter Date:  
 KiCad E.D.A. kicad 7.0.10

Rev:  
 Id: 4/4